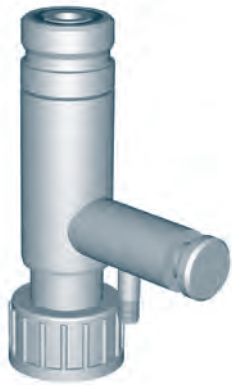


VENT VALVE



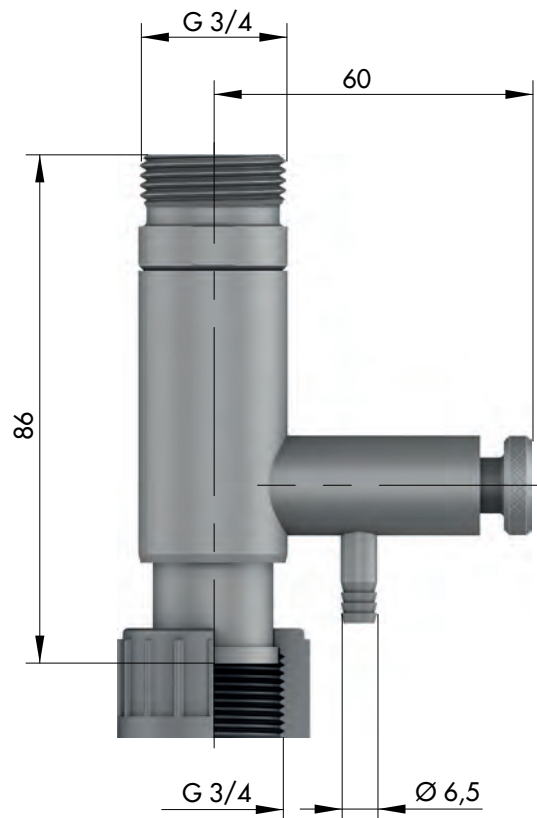
OVERVIEW

Compact design
Easy installation
Maintenance free
High quality materials

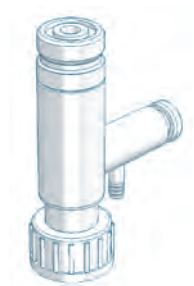
TECHNICAL DATA

| | | 8152 |
|-------------------------------------|-----------------|------|
| Nominal width | DN | 8 |
| Max. permissible operating pressure | bar | 10 |
| Max. volume of pump's stroke | cm ³ | 20 |

DIMENSIONS



BASIC DESIGNS



Vent valve

Properties

- Compact design
- Easy installation
- Maintenance-free
- High-quality materials

Basic version

- Valve body: **PVC-U** or **PP**
- Valve ball: **PTFE**
- Seals: **FPM** or **EPDM**
- Connection: **G^{3/4}**
- Vent joint: **Hose nozzle d=6,5mm**

| Type | Valve body | Seals | Article-No. | Price (EUR) |
|-------------|------------|-------|-------------|-------------|
| 8152 | PVC-U | EPDM | 37605884 | ▲ |
| 8152 | PVC-U | FPM | 37600531 | ▲ |
| 8152 | PP | EPDM | 37605885 | ▲ |
| 8152 | PP | FPM | 37605853 | ▲ |